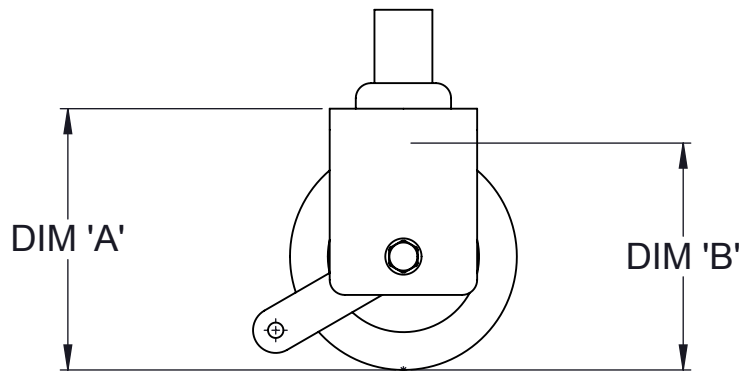
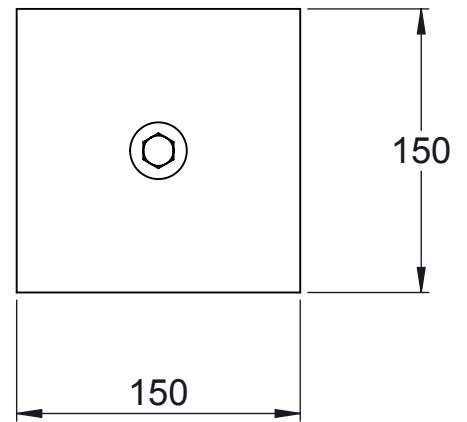
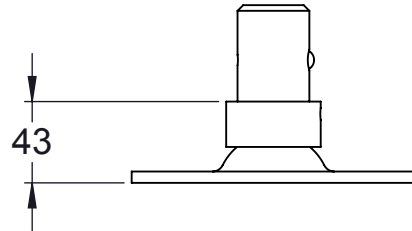
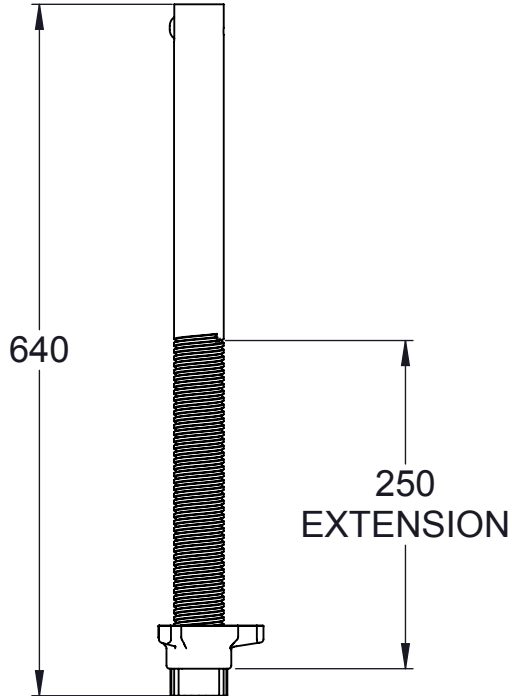


### TECHNICAL SPECIFICATION

**Note:** All dimensions in mm unless otherwise stated



PART NO.	DESCRIPTION	WEIGHT	DIM 'A'	DIM 'B'
335513	ADJUSTABLE LEG	1.1kg	-	-
330413	SWIVEL BASE PLATE	1.7kg	-	-
329423	200mm (8") CASTOR	3.9kg	240mm	200mm
328423	150mm (6") CASTOR	3.3kg	190mm	150mm
333513	125mm (5") CASTOR	2.9kg	160mm	125mm